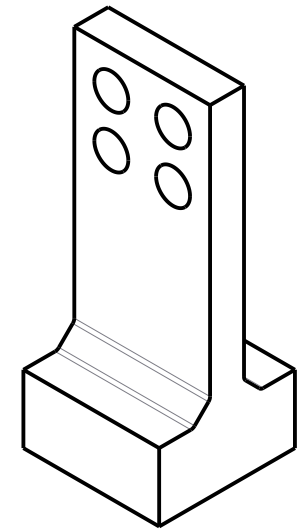
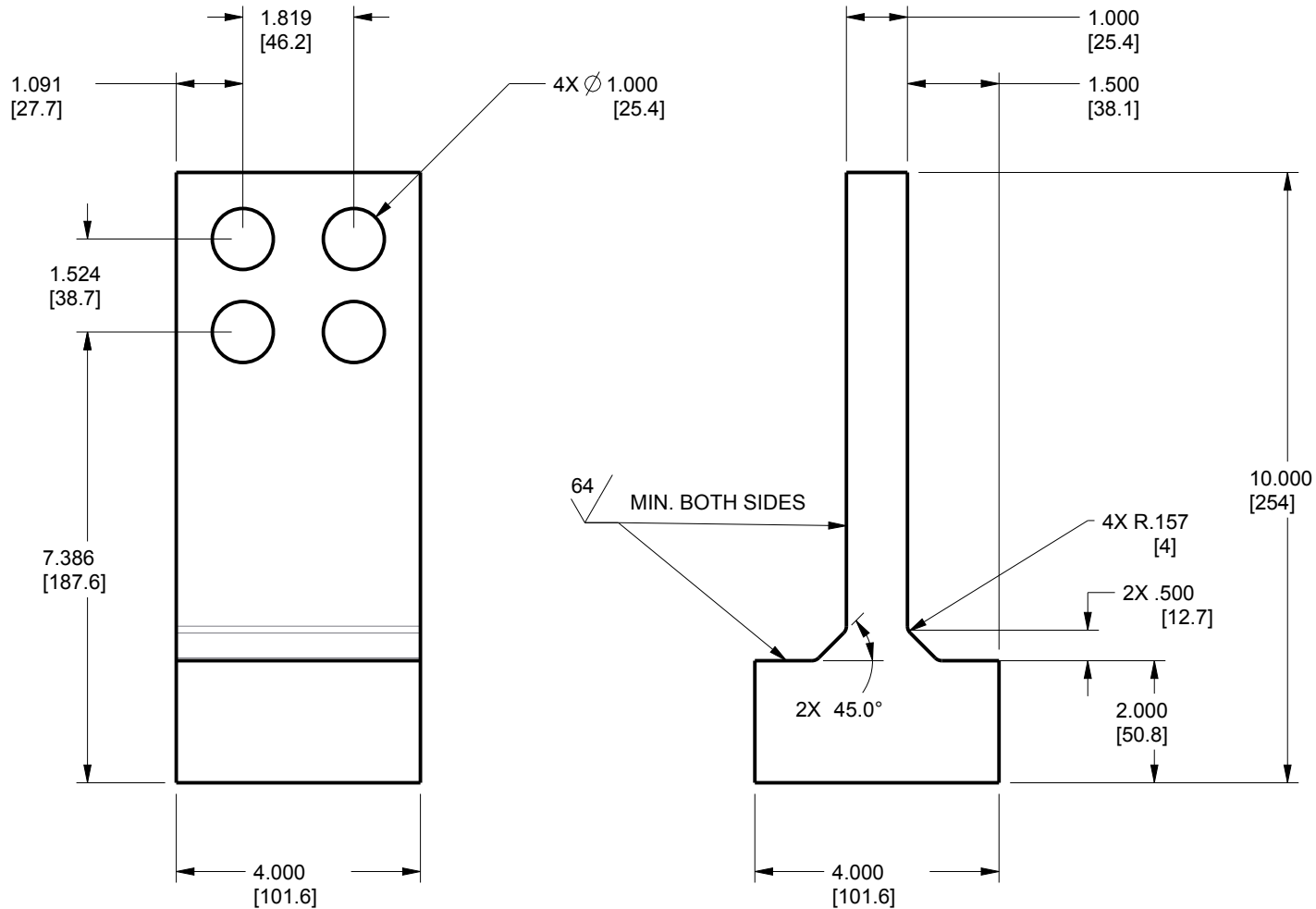


NOTE: DEBUR SHARP EDGES



TOLERANCES UNLESS OTHERWISE SPECIFIED		Fatigue Specimen		
0/0 = ±1/16	0.0 = ±0.1	Drawn Date	01/23/13	
0.00 = ±0.01	0.000 = ±0.005	Drawn By	TJJ	
∠ = ±1°		Checked By	TSJ	
		Scale	UOS 11/32	
		Dwg Units	Inches	
		Dwg Size	A	
		Apprx Wt	17.794 lbs	
Project #		SHEET	1 of 1	REV
		Drawing #	FATIGUE_SPECIMEN	

SAE 1020 (A36)
Material Description

Rev	Change Description	By	Date